



# SN-IPS5943MDR-J2-Z40

7-inch 4MP 40x IR PTZ AI Network Camera



## Key Features

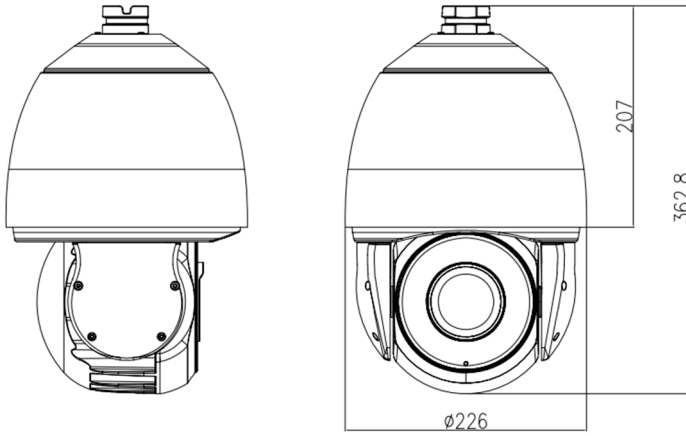
- 1/2.8" progressive scan CMOS
- 40x optical zoom, 16x digital zoom
- Max. 4MP(2592×1520) @ 25/30fps resolution
- Support face, human body, vehicle, license plate detection and capture
- Intelligent detection: intrusion, single line crossing, double line crossing, loitering, wrong way, people counting
- 3D DNR, WDR, ICR, Defog, Anti-shake
- Auto tracking
- Smart IR distance up to 200 m
- IP66

# Specification

Camera	
Image Sensor	1/2.8" Progressive Scan CMOS
Max. Resolution	2592(H)×1520(V)
Electronic Shutter	Auto/Manual, 1/5 ~ 1/20,000s
Min. illumination	Color: 0.01 Lux @ (F1.2, AGC ON) B/W: 0 Lux @ (IR LED ON)
Day & Night	Auto (ICR)
IR Distance	Smart IR, Up to 200 m (656.2 ft)
IR On/Off Control	Auto/Manual
Lens	
Focal Length	4.98 ~ 199.2mm
Max. Aperture	F1.2 ~ F3.5
Angle of View	H: 59.1°~1.8°, V: 38.4°~1.1°
Optical Zoom	40x
Digital Zoom	16x
Focus Control	Auto/Manual/Semi-automatic
PTZ	
Pan/Tilt Range	Pan: 0° ~ 360° endless, Tilt: -10° ~ +90°
Manual Control Speed	Pan: 0.1° ~ 180°/s, Tilt: 0.1° ~ 90°/s
Preset Speed	Pan: 180°/s, Tilt: 90°/s
Presets	400
PTZ Mode	6 Track, 12 Scan, 12 Tour (up to 32 presets per tour)
3D Positioning	Support
Power-Off Memory	Support
PTZ Status Display	Support
Idle Motion	Activate Preset/ Scan/ Tour/ Track if there is no command in the specified period
Video	
Streaming Capability	3 Streams
Stream/Frame Rate	Stream1: 2592×1520, 2560×1440, 2304×1296, 1920×1080, 1280×720 @ 25/30fps Stream2: D1, VGA, 640×360, CIF, QVGA @ 25/30fps Stream3: VGA, CIF, QVGA @ 25/30fps
Bit Rate Control	CBR/VBR
Bit Rate	Stream1: 200kbps~12Mbps Stream2: 10kbps~6Mbps Stream3: 10kbps~3Mbps
Smart Encoder	Support
Region of Interest (ROI)	Support
Image	
Image Adjustment	Brightness, Sharpness, Contrast, Saturation adjustable
Mirror	Support
White Balance	Auto/Manual
Day/Night Setting	Auto, Day, Night, Time
Smart IR	Support

Noise Reduction	2D/3D DNR
Image Enhancement	HLC, BLC, Defog
Wide Dynamic Range	True WDR 120 dB
S/N Ratio	55dB
Motion Detection	Support
Privacy Masking	Support
Audio	
Compression	G.711 (8kbps), RAW_PCM (16kbps)
Smart Function	
Smart Detection	Detects face, human body, vehicle and license plate automatically and capture
Smart Event	Intrusion, Single line crossing, Double line crossing, Loitering, Wrong way (the five functions support the accurate detection of vehicle and human), People counting
Auto Tracking	Support
Network	
Protocols	IPv4/IPv6, 802.1x, HTTP, HTTPS, TCP/IP, UDP/IP, RTSP, DHCP, NTP, RTCP/RTP, PPPoE, SMTP, DNS, UPnP, FTP, ARP, SNMP
Interoperability	ONVIF, SDK, CGI
Streaming Method	Unicast
Max. User Access	10 Users
Web Viewer	<IE11, Chrome, Firefox, Microsoft Edge
Language	English, Chinese, Polish, Italian, Portuguese, Spanish, Russian, French, Czech, Hungarian. Default: English
Interface	
Network Interface	1 × RJ-45, 10/100 Mbps self-adaptive Ethernet port
Audio Interface	1ch Input, 1ch Output
Alarm Interface	7ch Input, 2ch Output
RS485	Support
CVBS Output	Support
SD Card Slot	Built-in, up to 256GB
Electrical	
Power Supply	AC24V/Hi-POE (Adapter optional)
Power Consumption	Less than 40 W
Operating Temperature	Starting Temperature: -40°C ~ 60°C (-40°F ~ 140 °F) Working Temperature:-55°C ~ 60°C (-67°F ~ 140 °F)
Operating Humidity	Less than 90% RH
Ingress Protection	IP66, TVS4000V
Certifications	CE/FCC
Casing	Metal
Dimensions	Φ226 × 362.8 mm (Φ8.9 × 14.28 inch )
Net Weight	5.2 kg (11.46 lb)

## Dimensions (mm)



## Accessories

### Optional:



SN-BK349  
Wall Bracket



SN-BK348  
Ceiling Bracket



SN-BK605  
Corner Mount



SN-BK604B  
Pole Mount



SN-BK367  
Junction Box



SN-BK355  
Wall Bracket



SN-BK358  
Corner Mount



SN-BK359  
Pole Mount