



SN-IPR8041CQAW-B

4MP Full Color Turret Network Camera



Key Features

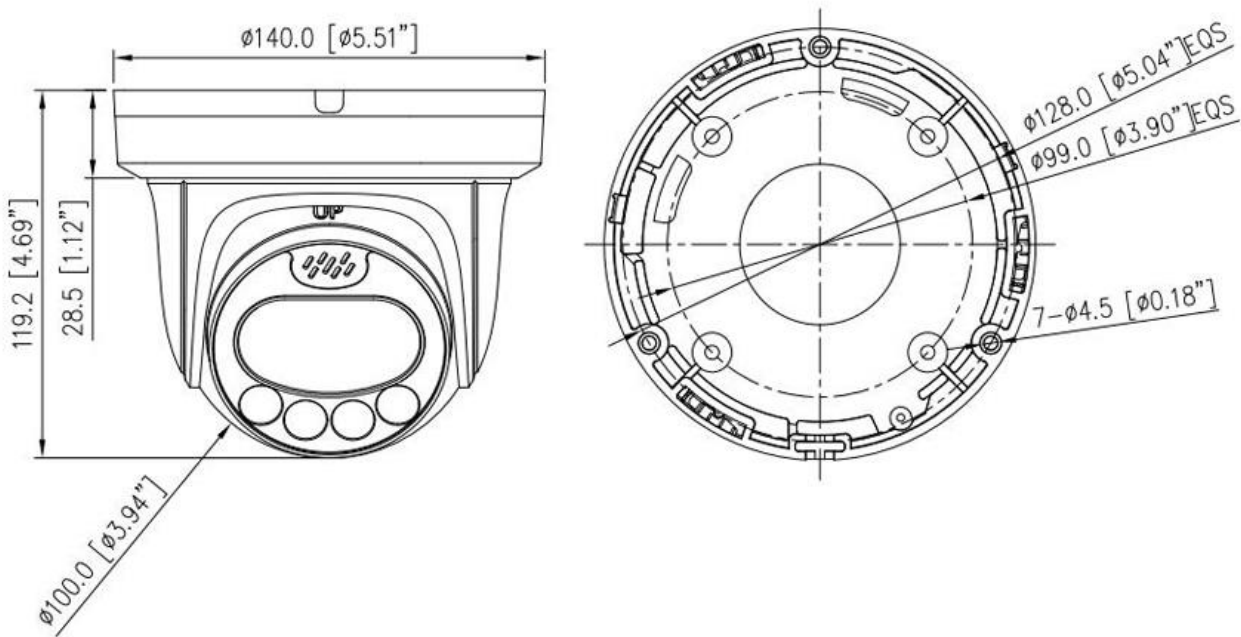
- 1/1.8" progressive scan CMOS
- Max. 4MP(2560×1440) @25/30fps resolution
- Support face, human, vehicle detection and capture
- Intelligent analytics: intrusion, single line crossing, double line crossing, loitering, wrong-way and people counting
- True WDR, 3D DNR, ROI, HLC, BLC, Defog
- Built-in warm lights, illumination distance up to 30m
- 1/1 audio in/out, 1/1 alarm in/out
- Built-in microphone and speaker
- Built-in SD card slot
- IP66

Specification

Camera				
Image Sensor	1/1.8" Progressive Scan CMOS			
Max. Resolution	4MP (2560×1440)			
Electronic Shutter	Auto/Manual, 1/5 to 1/20,000s			
Min. illumination	Color: 0.0005 Lux @ (F1.0, AGC ON), 0 Lux with white light on			
Day & Night	Fixed filter			
Angle Adjustment	Pan: 0° to 355°, Tilt: 0° to 80°, Rotation: 0° to 360°			
Lens				
Lens Type	Fixed focus			
Iris	Fixed Iris			
Focal Length	4 mm			
F Number	F1.0			
Field of View	H: 88.7°, V: 48.2°			
DORI Distance				
Lens	Detect	Observe	Recognize	Identify
4 mm	54 m (177.2 ft)	21.6 m (70.8 ft)	10.8 m (35.4 ft)	5.4 m (17.7 ft)
Illuminator				
Illuminator Type	Warm light			
Illumination Range	Up to 30 m (98.4 ft)			
Illumination On/Off Control	Auto/Manual			
Video				
Streaming Capability	3 Streams			
Stream/Frame Rate	Stream1: 2560×1440, 2304×1296, 1920×1080, 1280×720 @ 25/30fps Stream2: D1, VGA, CIF @ 25/30fps Stream3: VGA, CIF, QVGA @ 25/30fps			
Bit Rate Control	CBR/VBR			
Bit Rate	Stream1: 200kbps to 12Mbps Stream2: 100kbps to 6Mbps Stream3: 100kbps to 3Mbps			
Region of Interest	Off/On (8 areas, Rectangle)			
Smart Encode	Support			
Audio				
Compression	G.711, RAW_PCM			
Bit Rate	64Kbps (G.711), 128Kps (RAW_PCM)			
Image				
Image Adjustment	Brightness, Sharpness, Contrast, Saturation adjustable			
Aisle Mode	Support			
Mirror	Support			
White Balance	Auto/Manual			
Day/Night Setting	Auto, Day, Night, Time			

Noise Reduction	2D/3D DNR
Image Enhancement	HLC, BLC, Defog
Wide Dynamic Range	True WDR
S/N Ratio	55dB
Privacy Masking	4 areas
Smart Function	
Multi-Object Detection	Supports face, human, vehicle detection and capture
Intelligent Analytics	Intrusion, Single line crossing, Double line crossing, Loitering, Wrong-way Support alarm triggering by specified target types (human and vehicle)
People Counting	Support
Basic Events	Disk alarm, Network alarm, I/O alarm, Motion detection alarm, Abnormal sound detection
Network	
Protocols	IPv4/IPv6, RTSP/ RTCP/RTP, TCP/UDP, HTTPS, DHCP, DNS, DDNS, PPPoE, UPnP, ICMP, IGMP, FTP, NTP, SMTP, 802.1x, SNMP
Interoperability	ONVIF, SDK, CGI
Streaming Method	Multicast
Max. User Access	10 Users
Web Viewer	<IE11, Chrome, Firefox, Microsoft Edge
Language	English, Chinese, Polish, Italian, Portuguese, Spanish, Russian, French, Czech, Hungarian. Default: English
Interface	
Network Interface	1 Ethernet (10/100 Base-T) RJ-45 Connector
Audio Interface	1ch Input, 1ch Output
Built-in Microphone	Support
Built-in Speaker	Support
Alarm Interface	1ch Input, 1ch Output
Reset Button	Support
SD Card Slot	Built-in, up to 256GB
Electrical	
Power Supply	DC12V (-15% to +25%)/PoE (IEEE 802.3af)
Power Consumption	Max. 9.5W
Operating Temperature	-40°C to 55°C (-40°F to 131°F)
Operating Humidity	Less than 90% RH
Ingress Protection	IP66
Certifications	CE/FCC
Casing	Metal + Plastic
Dimensions	φ140 × 119.2 mm (5.51 × 4.69 inch)
Net Weight	0.9 Kg (1.98 lb)

Dimensions (mm)



Accessories

Optional:



SN-CBK645D
Junction Box



SN-CBK206
Pendant Cap



SN-CBK402
Pendant Mount



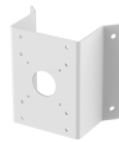
SN-CBK501
Wall Mount



SN-CBK502
Wall Mount



SN-CBK101
Pole Mount



SN-CBK102
Corner Mount