



SN-IPR8020DQAA-Z

2MP Active Deterrence IR Bullet Network Camera



Key Features

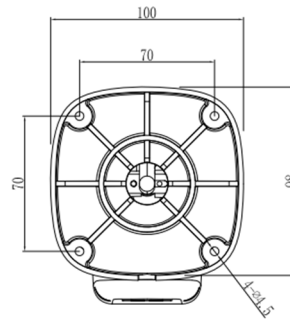
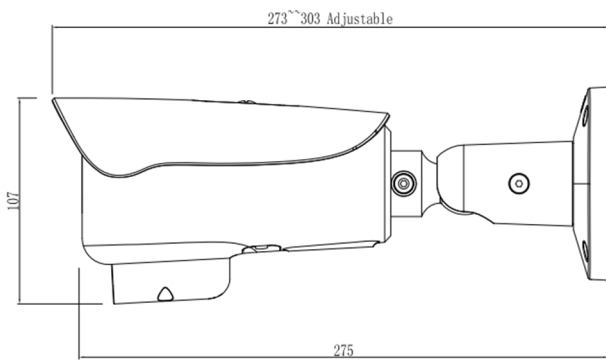
- 1/2.8" progressive scan CMOS
- Max. 2MP(1920×1080) @25/30fps resolution
- WDR, 3D DNR, ROI, HLC, BLC, Defog
- Support face, human, vehicle detection
- Intelligent detection: Perimeter, Single virtual fence, Double virtual fences, Loiter, Converse, People counting
- 1/1 audio in/out, 1/1 alarm in/out
- Built-in microphone and speaker
- Support strobe light and audio alarm to warn intruders off
- Smart IR up to 40m
- Built-in micro SD slot, IP66, PoE

Specification

Camera	
Image Sensor	1/2.8" Progressive Scan CMOS
Electronic Shutter	Auto/Manual, 1/5 ~ 1/20,000s
Min. illumination	Color: 0.01 Lux @ (F1.2, AGC ON) , BW: 0 Lux @ (IR LED ON)
S/N Ratio	55dB
Day/Night	Auto(ICR)/Day/Night/Time
Wide Dynamic Range	True WDR
IR Range	Up to 40m (131.2 ft)
IR On/Off Control	Auto/Manual
Pan/Tilt/Rotation Range	Pan: 0° ~ 360°, Tilt: 0° ~ 90°, Rotation: 0° ~ 360°
Lens	
Lens Type	Motorized focus
Iris	Fixed Iris
Focal Length	2.7 ~ 13.5 mm
F Number	F1.6
Angle of View	H: 101°~28°, V: 54°~16°
Video	
Max. Resolution	2MP (1920×1080)
Streaming Capability	3 Streams
Stream/Frame Rate	Stream1: 1920×1080, 1280×720 @ 25/30fps Stream2: D1, VGA, 640×360, CIF, QVGA @ 25/30fps Stream3: VGA, CIF, QVGA @ 25/30fps
Bit Rate Control	CBR/VBR
Bit Rate	Stream1: 200kbps~12Mbps Stream2: 100kbps~6Mbps Stream3: 100kbps~3Mbps
Image Enhancement	HLC / BLC / Defog / WDR
White Balance	Auto
Gain Control	Auto/Manual
Noise Reduction	2D/3D DNR
Aisle Mode	Support
Smart IR	Support
Mirror	Support
Region of Interest	Off/On (8 Zone, Rectangle)
Motion Detection	Support
Privacy Masking	Support

Smart Function	
Smart Function	Support face, human, vehicle detection
Intelligent Detection	Perimeter, Single Virtual Fence, Double Virtual Fences, Loiter, People Counting
Smart Alarm	When an alarm is triggered, active strobe light and audio alarm to warn intruders off.
Audio	
Compression	G.711, RAW_PCM
Bit Rate	8kbps, 16kps, 64kbps
Network	
Protocols	IPv4/IPv6, 802.1x, HTTP, HTTPS, TCP/IP, UDP/IP, RTSP, DHCP, NTP, RTCP/RTP, PPPoE, SMTP, DNS, UPnP, FTP, ARP, SNMP, TLS/SSL
Interoperability	ONVIF, SDK, CGI
Streaming Method	Unicast
Max. User Access	10 Users
Web Viewer	<IE11, Chrome, Firefox, Microsoft Edge
Management Software	SunView
Interface	
Network Interface	1 Ethernet (10/100 Base-T) RJ-45 Connector
Audio Interface	1ch Input, 1ch Output
Built-in Microphone	Yes
Built-in Speaker	Yes
Alarm Interface	1ch Input, 1ch Output
Reset Button	Support
Built-in Micro SD slot	Yes, up to 256GB
Electrical	
Power Supply	DC12V/POE (IEEE 802.3af)
Power Consumption	Max 10.5W
Operating Temperature	-40°C ~ 55°C (-40°F ~ 131°F)
Operating Humidity	Less than 90% RH
Ingress Protection	IP66
Certifications	CE / FCC
Casing	Metal
Dimensions	303 × 100 × 107 mm (11.9 × 3.94 × 4.21 inch)
Net Weight	1.25 kg (2.76 lb)

Dimensions (mm)



Accessories

Optional:



SN-CBK649B
Junction Box



SN-CBK627D
Pole Mount